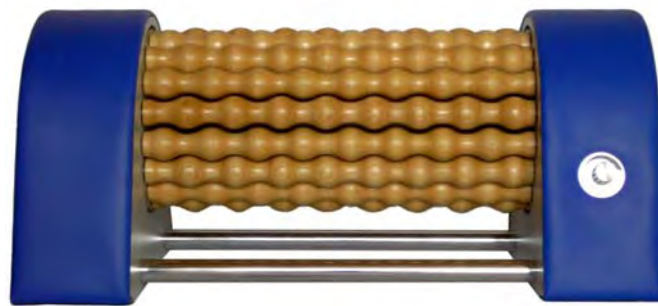


**WEGU**

# *Chi-Roller*

**User Manual**



**TABLE OF CONTENT**

---

Part Designation.....Page 3+4

Content Of Supply.....Page 4

Technical Data.....Page 4

Thank You For Choosing This Product!.....Page 5

Packaging.....Page 5

Recycling.....Page 5

Fore Word.....Page 5

Important Notification.....Page 6

How To Use The Chi-Roller.....Page 7

Hygienic Conditions.....Page 8

Cleaning.....Page 8

Foot Reflex Zone Picture.....Page 9

Hand Reflex Zone Picture.....Page 10

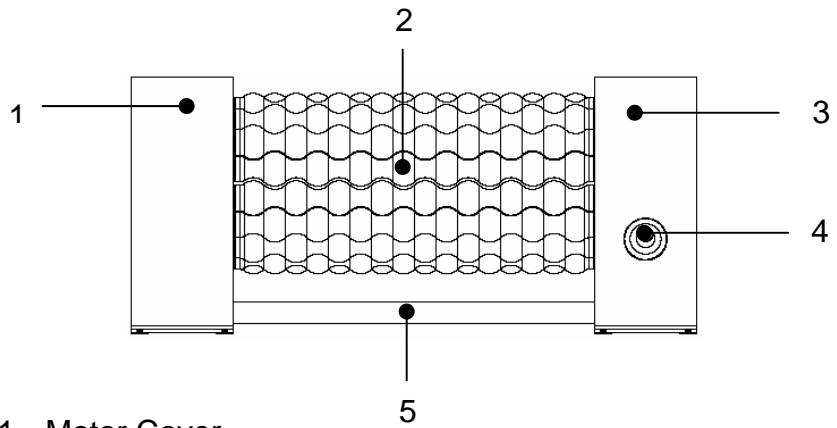
Warranty.....Page 11

Warranty Card.....Page 12

**PART DESIGNATION**

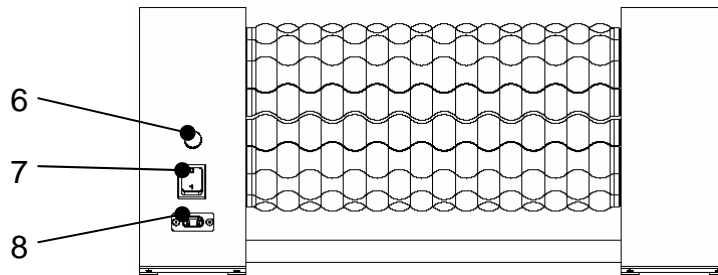
---

**FRONT**

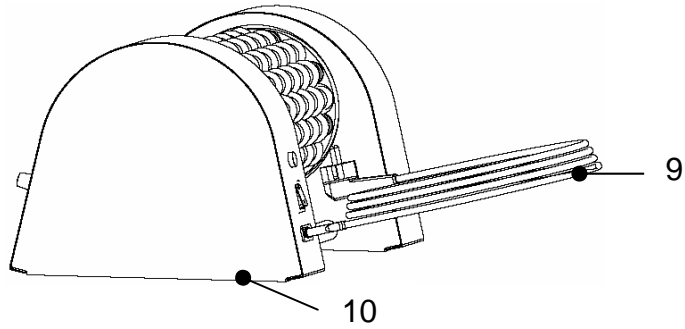


1. Motor Cover
2. Drum
3. Electronic Cover (Opening through authorized Personnel only!)
4. Speed Regulator
5. Connecting Pipes

**BACK**



6. Fuse for 220V Supply (0.5A)
7. ON/OFF Switch
8. Socket for Cable



- 9. Cable
- 10. Product Label (upside down)

### ***CONTENT OF SUPPLY***

---

- 1 Chi-Roller Massaging Device
- 1 Power Cord
- 1 User Manual

### ***TECHNICAL DATA***

---

Model:	Chi-Roller MD -1
Electrical Supply:	220V – 240V ~ 50 Hz
Power:	60 W
Overall Dimensions:	530 x 310 x 245mm (LxWxH)
Weight:	approx. 8.5 kg
Allowable Load Of Drum:	max. 50 kg

## ***THANK YOU FOR CHOOSING THIS PRODUCT!***

---

We congratulate you to your new Chi-Roller and are convinced that you will be satisfied and have your joy with this modern device.

In order to get to know your Chi-Roller and to guarantee always an optimal function, we have a request to you.

Read this user manual thoroughly before using your Chi-Roller the first time and follow the instructions carefully.

### **Packaging**

To protect the Chi-Roller from damages during transportation it is packed into styrofoam and card box material.

Packaging materials are raw materials and therefore recyclable.

### **Recycling**

If the massaging device is damaged and can not be used any longer please remove the single components (e.g. electronic components, steel components, wood components) and dispose it environmentally friendly into the particular waste container at the recycling station or send it back to us.

### **Fore Word**

The Foot-Reflex-Zone massage is a healing massage.

It affects the body completely.

It is the key to more health and well-being.

In times of rising health care cost and increasing participation of the individual for medical coverage, the consciousness in the population rises to consider health as a valuable property and therefore prevent diseases with a healthier life style.

Nothing is as valuable as our health.

## **IMPORTANT NOTIFICATION**

---

- Read this user manual entirely and keep it at a safe place. Inappropriate use can lead to damage of the device.
- Use the Chi-Roller only for the intended purpose.
- When using the device it is best to put it on a non skidding surface either on the floor or table.
- Do not put the plug into the socket when the cable or connectors are damaged. Do not use it after malfunctions.
- Check the cable and connector visibly on a regular basis for damage.
- Never dip the cable nor the plug into water or other liquids. Avoid water or liquids entering the device (danger of an electrical shock).
- Pay attention that the cable is not squeezed, because it can damage the isolation.
- Always supervise children when they are using the device. An adult has to be present to advise children during use and make them aware of possible danger (e. g. not putting their fingers between the rollers and any gaps).
- The same, as just mentioned above is advisable for impaired people also.
- When having long hairs and want to use the Chi-Roller, tie your hairs together before the application or wear a hair net.
- ***The usage of the device always takes place on your own responsibility. Liability claims toward the manufacturer through inappropriate use is impossible!***

## **HOW TO USE THE Chi-Roller**

---

Place the Chi-Roller somewhere in your room on the floor (best, in front of a chair, couch or armchair). Connect the cable with the device first and afterwards with the socket.

Turn it on with the switch (7) and adjust your desired speed of the drum with the potentiometer (4).

Now sit on the chair and put your feet on the rotating drum. Hereby you have to pay attention to the following.

The massaging direction (blood flow) should always be towards the heart, that means if you sit on your chair in front of the device and look at it from **above** the drums rotating direction needs to be towards you and not away from you. This is normally the case when the Chi-Roller is set up in front of you and the Power Cord exit is on the back side of the device.

The best time to achieve a good result is when first timers put their feet for about 5 – 10 minutes in the morning and in the evening on the drum. You can individually shorten or extend the time by your own need and feeling.

The energy flow **“Chi”** is activated, the blood circulation of the feet is stimulated and after a short time you will feel pleasant well-being. At the beginning arising tickling or unpleasant feeling in the foot soles quickly disappears while still massaging.

If you walk on your floor right after the application, you will experience the feeling of walking on a moss-soft forest ground.

You can also massage other parts and areas of the body as for example the inner hand, upper arms, calves, thighs, belly, hips etc., you should pay attention to not bringing bones in contact with the drum, because this hurts and can cause oedema.

At the above mentioned massaging application it is important that the massaging direction is towards the heart again as described earlier in this chapter.

If you want to massage your belly e.g., having the device placed in front of you on a table and looking at it from **above** the drums rotating direction in this case needs to be away from you.

This is simplest remembered in the following explanation. Let's say you wear a T-shirt and push your belly against the drum, the rotating direction is right when the T-shirt is pushed upwards, *towards the heart*, if the T-shirt is pulled downwards, the rotating direction is wrong. This rule can be applied to all body areas and parts.

## **HYGIENIC CONDITION**

---

Due to hygienic reasons and if the Chi-Roller is being used by several persons, it is advisable for the application, independently what kind of body areas are being massaged, to wear socks or tight clothes.

## **CLEANING AND MAINTENANCE**

---

Basically, always refer to the safety instructions when cleaning the device.

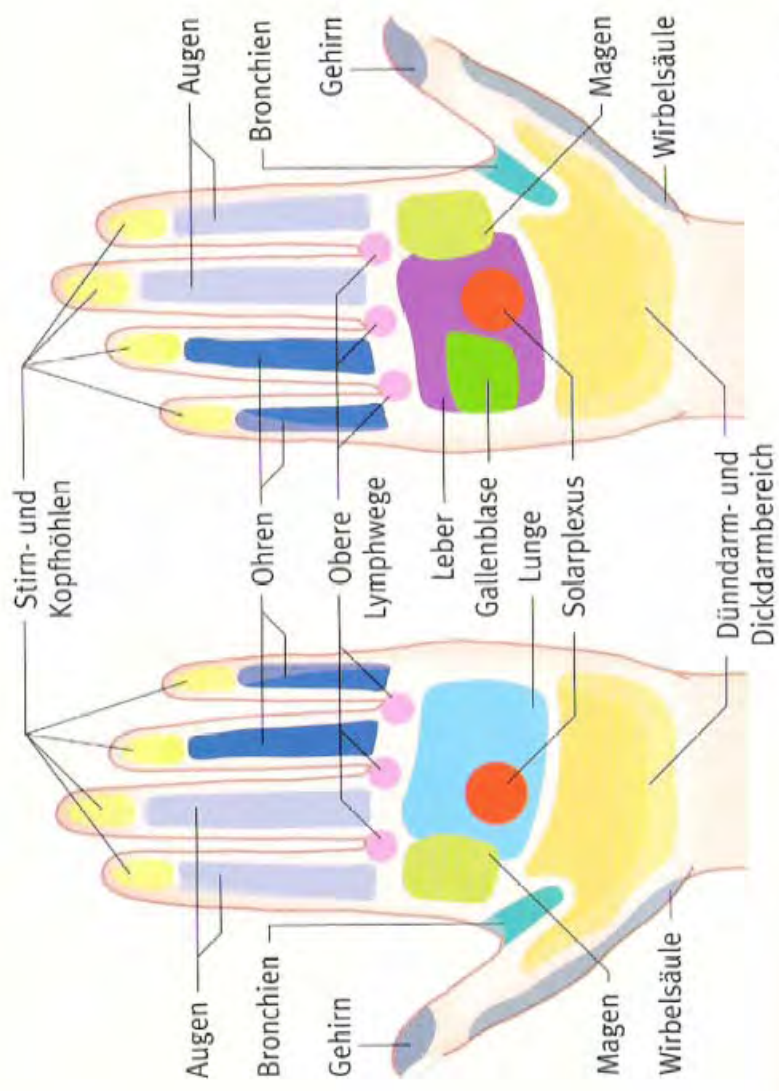
Before every cleaning pull the plug out of the socket.

The outside of the Chi-Roller can be cleaned best with a wet, wrung out cloth.

Do not use scrubbing detergent nor aggressive cleaners, for example thinner, benzene etc. because it can ruin the surface of the rollers and the leather.







## **WARRANTY**

---

Dear Customer,

This product is subject to a severe quality control. Nevertheless, if the product does not function properly, please contact the address listed below.

Please, pay attention to the following:

***The warranty is 2 years and begins with the day of purchase.***

Keep your written warranty card as well as the receipt at a safe place as an evidence of purchase. Please consider, the warranty applies to material and factory defects only, but not to damages which were caused by the customer due to inappropriate usage.

During warranty, defective devices can be send to the address listed below and we will send you either a new, or the repaired massaging device back.

After the warranty is expired, defective devices can still be send for repair to the address below, however in this case the customer has to come up for the expenses.

Due to inappropriate usage, violation and interventions through unauthorized people, the warranty expires.

CAUTION: We do not accept packages which were send free of charge. Of course we do return your postage in case of legitimate claim if you provide us the necessary receipt.

**WEGU**  
**Harald Guggenmos**  
**An der Illerau 14**  
**D-87509 Immenstadt**  
**Tel: 08323/7700**  
**E-Mail: [harald.guggenmos@t-online.de](mailto:harald.guggenmos@t-online.de)**  
**[www.wegu-tech.com](http://www.wegu-tech.com)**

**WARRANTY CARD**

---

Please write your address in block letters

Name:

---

First Name:

---

Street:

---

Zip Code and City:

---

Phone No.

---

*THERE IS A 2YEAR WARRANTY FROM THE DATE OF PURCHASE*  
By claim of warranty please add the written warranty card, the receipt as well as a detailed description of malfunction to the defective device.

*DESCRIPTION OF MALFUNCTION* (including customer signature)

---

---

---

---

---

---

---